



Left to right: HDC window door style and HDC solid door style (HDC18SD2)

## Heavy Volume Amana® Commercial HDC Series

### Power Output

- 1000-2100 Watts of power
- Unique method of microwave energy distribution provides superior even heating throughout the entire cavity

### Multi-language universal operation, with programming flexibility

- Oven interface and programming software supports 24 languages
- Smart USB connectivity standard
- Compatible with ACP Programming Application

### Easy to Use

- Up to 100 programmable menu items simplifies cooking
- 11 power levels and 4 cooking stages for cooking flexibility
- Multiple quantity function automatically calculates cooking times for multiple portions
- Automatic Voltage Sensor adjusts to the power supply (*North America only >1200W*)
- See-through door and lighted interior for monitoring without opening the door (*HDC18SD2 excluded*)
- Ample 0.6 cubic ft. (17 liter) capacity accommodates a standard half-sized pan
- Stackable to save valuable counter space

### Easy to Maintain

- Stainless steel exterior and interior for easy cleaning and increased durability
- Removable, cleanable air filter protects oven components
- Constructed to withstand the foodservice environment, multiple users and variable ambient temperatures
- Gasket sealed Borosilicate Glass tray for easy cleaning
- Interlock switch assembly is engineered for maximum durability and long life.

## Market Region: North America

**Chef Line | Heavy Volume**  
This category of microwave oven is ideal for...

### Applications

- Fast casual dining
- Prep stations
- Bars & grills
- Quick service restaurants
- Casual dining
- Convenience stores
- Bakery cafés
- Kiosks
- Food courts

### Through put potential by oven wattage (items per hour)

Food item	1000W	1200W	1800W	2100W
Steamed Shrimp (8oz (227g))	22	23	33	38
Scrambled Eggs (4oz (120g))	48	51	65	72
Steamed Rice (8cups (1.2kg))	2	3	5	7
1 Baked potato (9oz (255g))	17	18	21	29
Salmon fillet (8oz (227g))	19	20	26	29
Chocolate Cake in a Cup	57	60	80	97
Fresh Steamed Veggies (6oz (170g))	45	48	65	80
Asparagus (8oz (227g))	29	30	45	51
Dumplings (6ea)	19	19	24	28

All ACP, Inc. commercial ovens are supported by our Culinary Center. Do not hesitate to contact us for any questions regarding food preparation, menu development and cooking times: [testkitchen@acpsolutions.com](mailto:testkitchen@acpsolutions.com)



### Optional Accessories

- Cavity shelf (SE10)
- Non-stick baskets (TB10/S, SB10/S, MB10/S)
- Oven Cleaner and Shield Protectant (CL10\*, SH10\*)

### Service

All products are backed by the ACP, Inc.  
24/7 ComServ Support Center

### Warranty

Warranty Certificate for this product can be found on the ACP, Inc. website at [www.acpsolutions.com/warranty](http://www.acpsolutions.com/warranty)

### Safety and Sanitation

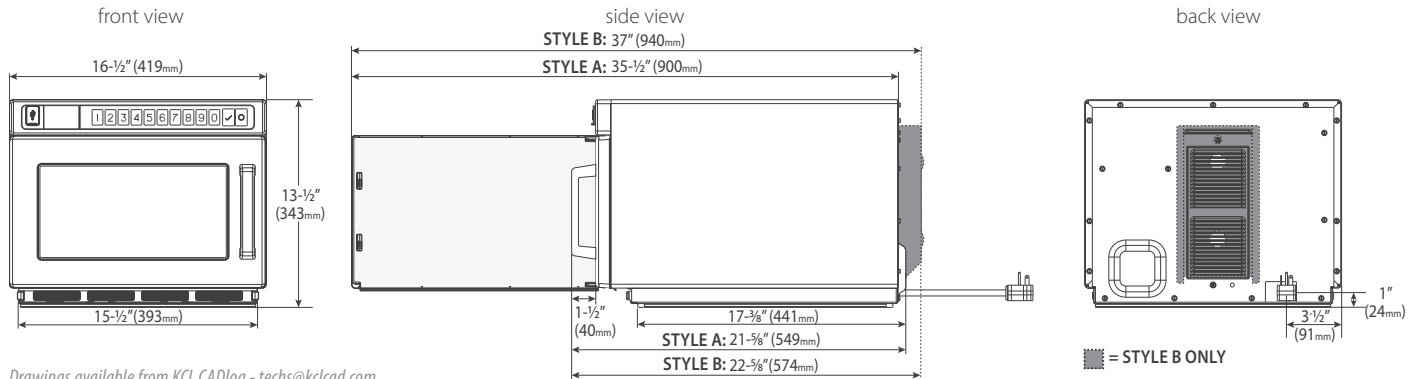
This ACP, Inc. product meets and exceeds safety and sanitation standards set for commercial microwave ovens by UL, ETL, NSF, CSA, and FDA.



For other market regions, please see product literature online

\*Only shipped in U.S.A.





Drawings available from KCL CADlog - techs@kclcad.com

Dimensions		STYLE A	STYLE B
Exterior	Height	13 1/2" (343)	13 1/2" (343)
	Width	16 1/2" (419)	16 1/2" (419)
	Depth†	21 5/8" (549)†	22 5/8" (578)†
Cavity	Height	6 3/4" (171)	6 3/4" (171)
	Width	13" (330)	13" (330)
	Depth	12" (305)	12" (305)
Usable Cavity Space		0.6 cubic ft. (17 liter)	0.6 cubic ft. (17 liter)
Door Depth		35 1/2" (900), 90°+ door open	37" (940), 90°+ door open
Installation Clearance	Top	2" (51)	2" (51)
	Sides	1" (25)	1" (25)
	Back	None	None
Shipping Carton	Height	18 5/8" (473)	18 5/8" (473)
	Width	21 7/8" (556)	21 7/8" (556)
	Depth	24 5/8" (625)	24 5/8" (625)
Weight			
Product Weight	Ship weight (approx.)	UPS Shippable	
68 lbs (31kg)	74 lbs (34kg)	Yes, ISTA 1A	

Features	
Configuration	Countertop
Stackable	Yes
Display	LCD
Control System	Touchpad
Programmable Control	Yes, 10 pads
Braille	Overlay available
Settings Programmable	100
Max. Cooking Time	60:00
Microwave Distribution	Double rotating antennas, top and bottom
Power Levels	11
Defrost	Yes, power level 2
Time Entry Option	Yes
Multiple Portion Setting	Yes, X2 by default, optional up to X9
Stage Cooking	4 stages
Interior Light	Yes, LED
Automatic Voltage Sensor	Yes (North America only >1200W)
Air Filter	Yes, 1 removable
Signal	End of cycle, adjustable
Door Handle	Grab & Go
Exterior Finish	Stainless steel
Interior Finish	Stainless steel with gasket sealed borosilicate tray

Measurements are US Standard. Measurements in ( ) are in millimeters

\* IEC 60705 Tested

† Includes handle

## Electrical Configuration

Region	Model#/UPC	Automatic Voltage Sensor	Exterior Depth Style	Door Style	Power Consumption	Power Output (microwave)	Power Source	Plug Configuration	Cord Length	Frequency	Magnetron
North America single phase	<b>HDC1015</b> 728028470949	No	A	Window	1610W, 14.4 A	1000W*	120V, 60Hz, 15A, single phase	NEMA 5-15P	5 ft. (1.5m)	2450MHz	2
North America single phase	<b>HDC12A2</b> 719881159355	No	A	Window	2000W, 16.8 A	1200W*	120V, 60Hz, 20A, single phase	NEMA 5-20	5.5 ft. (1.7m)	2450MHz	2
North America single phase	<b>HDC182</b> 719881159362	Yes	A	Window	3000W, 14.4 A	1800W*	208/240V, 60Hz, 20A, single phase	NEMA 6-20	5.5 ft. (1.7m)	2450MHz	2
North America single phase	<b>HDC1815</b> 728028315929	Yes	A	Window	3000W, 14.4 A	1800W*	208/240V, 60Hz, 15A, single phase	NEMA L6-15P	5.5 ft. (1.7m)	2450MHz	2
North America single phase	<b>HDC18SD2</b> 719881159379	Yes	A	Solid	3000W, 14.4 A	1800W*	208/240V, 60Hz, 20A, single phase	NEMA 6-20	5.5 ft. (1.7m)	2450MHz	2
North America single phase	<b>HDC212</b> 719881159386	Yes	B	Window	3200W, 15.4 A	2100W*	208/240V, 60Hz, 20A, single phase	NEMA 6-20	5.5 ft. (1.7m)	2450MHz	2

Specification #:

AIA File #:



225 49th Ave. Dr. SW, Cedar Rapids, IA 52404 U.S.A.  
800-233-2366 • 319-368-8120 • Fax: 319-368-8198  
www.acpsolutions.com

Part No. 20271301

Updated 09/06/2022

© 2022 ACP, Inc., Cedar Rapids, Iowa 52404

an Ali Group Company



The Spirit of Excellence